

**VAIA Two-hole bath mixer for free-standing assembly with hand shower set -  
Chrome**

VAIA

25 943 809



- spout: circular, air-enriched flow
  - max. flow 24.6 l/min at 3 bar flow pressure
  - Hand shower: COMPACT RAIN, max. flow rate 6.8 l/min (at 3 bar)
  - hand shower with anti-scale system
  - 221mm projection
  - pivotable spout 360°
  - rotary diverter for bath/shower
  - total height 920 mm
  - stand pipes height 628 mm
  - height up to aerator 816 mm
  - slide-on rosettes Ø 100 mm
  - gauge 150 mm
  - metal shower hose 1250mm with integrated anti-twist protection
  - pivotable shower holder on the right foot
- Intrinsic protection against back flow.**

Intrinsic protection against back flow.

	Chrome	25 943 809-00
	Brushed Platinum	25 943 809-06
	Platinum	25 943 809-08
	Dark Chrome	25 943 809-19
	Brushed Durabronze (23kt Gold)	25 943 809-28
	Brushed Bronze	25 943 809-42
	Brushed Champagne (22kt Gold)	25 943 809-46
	Champagne (22kt Gold)	25 943 809-47
	Brushed Dark Platinum	25 943 809-99

**Required miscellaneous**



**Concealed floor mounting -**

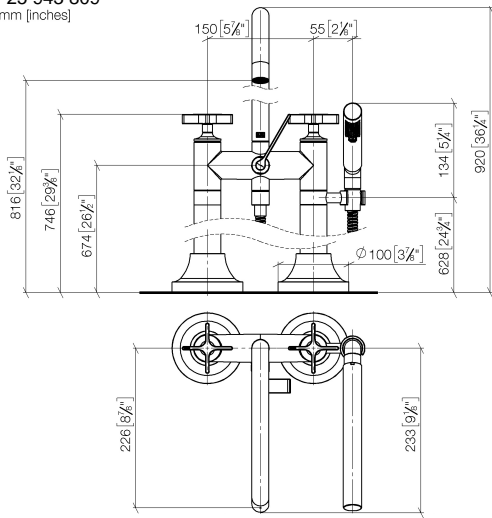
35 944 970 90

- max. recess depth 160 mm
- min. recess depth 80 mm

**VAIA Two-hole bath mixer for free-standing assembly with hand shower set - Chrome**

VAIA

25 943 809  
mm [inches]



**Flow rate chart**



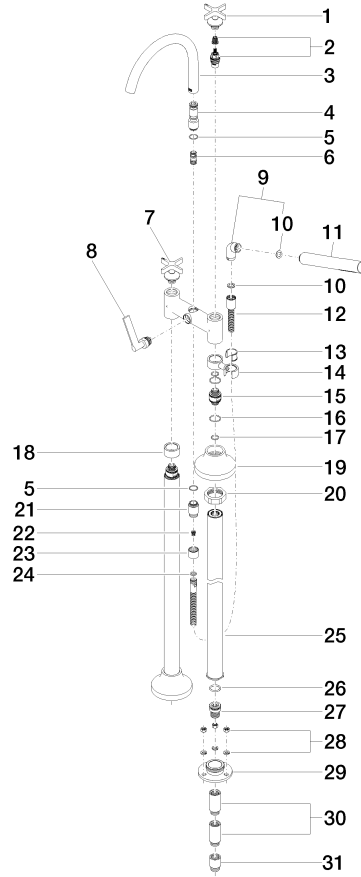
**Certificates**

Belgauqa\_22\_276\_2 LGA\_29294.  
7\_2.

WRAS\_1802014.

IAPMO\_4976 (4).

25 943 809





## VAIA Two-hole bath mixer for free-standing assembly with hand shower set - Chrome

VAIA

25 943 809

### Spare parts list

No.	Item Number	Name	Quantity used	Delivery time
1	90 20 80 010 01-00	handle ( cold )	1	10
2	90 90 03 131 00 90	top	1	2
3	90 28 22 317 00-00	spout	1	10
4	09 24 03 273-00	nipple	1	10
5	90 14 10 032 00 90	seal	1	2
6	90 21 10 011 00 90	diverter	1	2
7	90 20 80 011 01-00	handle ( hot )	1	10
8	90 20 80 015 02-00	handle	1	10
9	04 24 04 189 00-00	nipple	1	10
10	90 14 20 002 00 90	seal	1	2
11	28 019 979-00	Hand shower - Chrome	1	2
12	90 30 02 072 00-00	Metal shower hose 1/2" x 3/8" x 1250 mm - Chrome	1	10
13	90 18 40 035 00 90	sleeve	1	2
14	04 28 10 029 01-00	holder	1	10
15	09 29 05 021 20 90	nipple	2	2
16	09 14 10 112 90	seal	4	2
17	90 14 10 055 00 90	seal	4	2
18	09 28 10 028-00	sleeve	1	10
19	90 27 80 019 00-00	rosette	2	10
20	09 23 30 040-07	nut	2	30
21	09 24 03 121-00	nipple	1	10
22	09 23 01 131 90	back-flow preventer	1	2
23	09 21 02 143-00	sleeve	1	10
24	90 14 20 026 00 90	seal	1	2
25	04 28 22 009 20-00	connection	2	10
26	09 14 10 081 90	seal	2	2
27	09 24 03 094-07	nipple	2	30
28	04 23 10 023 00 90	fixing set	6	2
29	09 30 11 130-07	connection	2	30
30	09 24 03 081 10 90	extension	4	2
31	09 24 03 080 90	extension	2	2